

**AFTER INSTALLATION DELIVER THIS  
INSTRUCTION SHEET TO OWNER**

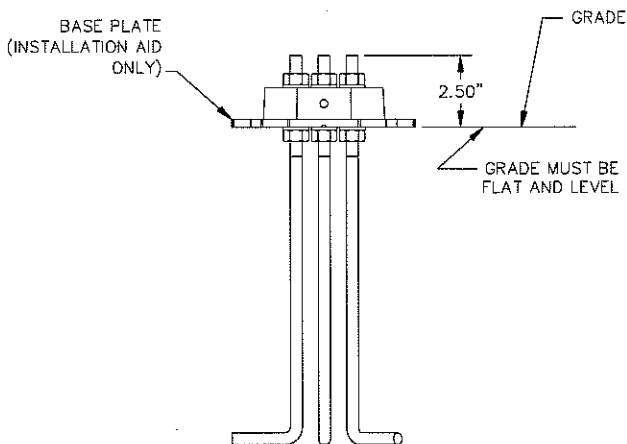
### IMPORTANT SAFETY INSTRUCTIONS

**WARNING** - READ THESE INSTRUCTIONS CAREFULLY BEFORE ATTEMPTING TO INSTALL OR MAINTAIN THIS PRODUCT. WORK MUST BE DONE BY QUALIFIED PERSONNEL.

**WARNING** - BE CERTAIN THAT ELECTRICAL POWER IS DISCONNECTED FROM THE FIXTURE BEFORE INSTALLING OR MAINTAINING THE FIXTURE.

**WARNING** - FOLLOW LAMP MANUFACTURER'S OPERATING AND MAINTENANCE INSTRUCTIONS.

**FAILURE TO FOLLOW THESE WARNINGS MAY RESULT  
IN DEATH, INJURY OR SIGNIFICANT PROPERTY  
DAMAGE.**



(Fig 1)

GR1508

## 1 INTRODUCTION

**1.1 Product Description.** Anchor bolt assembly with base plate as an installation template.

**1.2 Alternate Information Sources.** If additional questions arise relative to this assembly that this document or your supplier cannot answer, please refer to:

Holophane Field Service Department  
P.O. Box 3004  
Newark, OH 43058-3004  
(740) 345-9631

## 2. ASSEMBLY AND INSTALLATION

**2.1 Tools and Materials Required.** The following tools and materials are required during installment:

Table 1. Installation Tools and Materials

Description	Use
Crescent wrench	3/8" Nuts

### 2.2 ASSEMBLY.

**2.2.1** Insert anchor bolts through each hole in base plate as shown in Figure 1.

**2.2.2** Align top of each anchor bolt 2.50" above bottom of base plate. Tighten each bolt, top and bottom, securely.

### 3 INSTALLATION.

**3.1** Insert anchor bolt assembly into position with base plate level with grade. (See Figure 1)

**3.2** Once concrete has cured remove top nuts and washers. Remove base plate and **DISCARD**.

**3.3** Replace top washers and nuts back onto anchor bolts to be used for final installation.

  
**HOLOPHANE®**  
LEADER IN LIGHTING SOLUTIONS  
An Acuity Brands Company  
Acuity Lighting Group, Inc.  
214 Oakwood Ave., Newark, OH 43055  
IN-1200. 12/27 ©2007 Acuity Brands Inc.  
Visit our web site at [www.holophane.com](http://www.holophane.com)

Printed in USA