

---

**AFTER INSTALLATION DELIVER THIS  
MANUAL TO OWNER**

---

(740) 345-9631

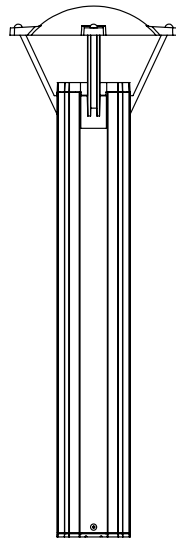
**IMPORTANT SAFETY INSTRUCTIONS**

**WARNING** – READ THESE INSTRUCTIONS CAREFULLY BEFORE ATTEMPTING TO INSTALL OR MAINTAIN THIS FIXTURE. WORK MUST BE DONE BY QUALIFIED PERSONNEL.

**WARNING** – BE CERTAIN THAT ALL ELECTRICAL POWER IS DISCONNECTED FROM THE FIXTURE BEFORE INSTALLING OR MAINTAINING THE FIXTURE.

**WARNING** – FOLLOW LAMP MANUFACTURER'S OPERATING AND MAINTENANCE INSTRUCTIONS

**FAILURE TO FOLLOW THESE WARNINGS MAY RESULT  
IN DEATH, INJURY OR SIGNIFICANT PROPERTY  
DAMAGE.**



GR40157

**1 INTRODUCTION****1.1 Product Description.**

- Bollard with extruded housing and integral TracLoc grooves for added functionality.
- Available with an Indirect Light Source or as a non-lighted Bollard.
- Available with Halogen Par20 lamp, CMH Par 20 lamp, CFL Self Ballasted Par20 lamp and LED light sources.

**1.2 Alternate Information Sources.**

Holophane  
Field Service Department  
P.O. Box 3004  
Newark, OH 43058-3004

## 2 INSTALLATION

### 2.1 Tools and Materials Required.

TABLE 1. Installation Tools and Materials

| DESCRIPTION                   | USE                 |
|-------------------------------|---------------------|
| 5/32" Hex Pin security driver | Security Screws     |
| 9/16" socket driver           | Anchor Bolt Nuts    |
| 3/8" socket driver            | LED electrical assy |
| Flat Blade Screw Driver       | Wiring              |
| Torque wrench                 | Base plate screws   |

### 2.2 Lighted Bollard Installation with Anchor Bolts

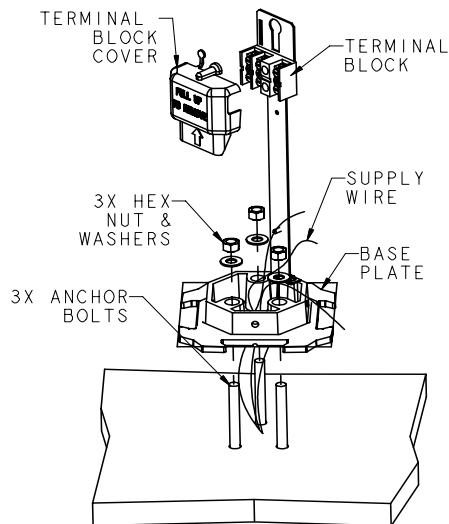
**2.2.1** Before installing Bollard be sure the base plate template is removed from anchor bolts and discard. Retain washers and nuts to be reused.

**2.2.2** The supply wire must be 18" minimum in length above grade.

**2.2.3** Use security driver to remove 4 housing screws at the base of the unit. Pull base plate out until the electrical connector is visible. Disconnect electrical connector and remove base completely. See Figure 2

**2.2.4** Insert supply wire through center of base plate and align base plate with anchor bolts. Place anchor bolts through the three holes in base plate. Secure base plate with three washers and three nuts. See Figure 1.

Figure 1



GR40158

**2.2.5** Connect the electrical supply wires to the terminal block. The terminals are marked "L1" (Line 1), "G" (Ground), and "L2" (Line 2). If one of the supply lines is electrically neutral, it should be connected to terminal "L2". Verify terminal block cover is in place and covering the terminal block.

**2.2.6** Connect the electrical connection. Align housing over base plate and carefully lower the housing being careful not to pinch any wires. Push down on housing, to compress gasket, while attaching housing to base plate with four housing screws removed in step 2.2.3. Torque screws to 70 IN LBS. See Figure 2.

**2.2.7** For LED Units skip to 2.2.13 .

**2.2.8** Remove four optical cover screws and set aside. See Figure 3.

**2.2.9** Remove four lens cover screws. Remove lens cover and set aside. See Figure 3.

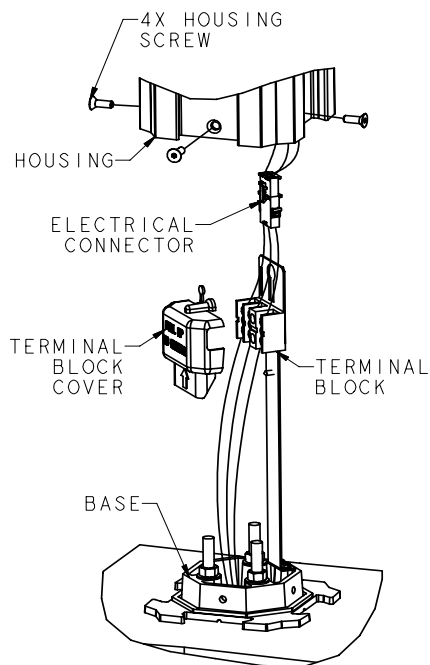
**2.2.10** Install the proper lamp type. Tighten the lamp carefully but securely.

**2.2.11** Reinstall the lens cover being sure to align the notches on under side over the socket strap electrical assembly. Insert the four lens cover screws. Tighten screws fully to compress gasket. See Figure 3.

**2.2.12** Reinstall the optics cover using screw's removed in 2.2.9. See Figure 3.

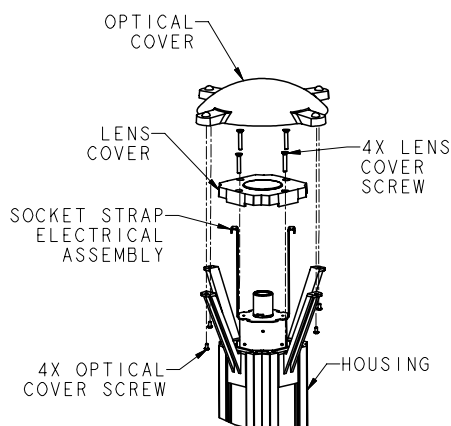
**2.2.13** Energize the fixture and check for proper operation.

**Figure 2**



GR40159

**Figure 3**



GR40160

### 3.1 Non-Lighted Bollard Installation with Anchor Bolts

**3.1.1** Before installing Bollard be sure the base plate template is removed from anchor bolts and discard. Retain washers and nuts to be reused.

**3.1.2** Use security driver to remove 4 housing screws at the base of the unit. Pull base plate out and align base plate with anchor bolts. Place anchor bolts through the three holes in base. Secure base with three washers and three nuts. See Figure 1.

**3.1.3** Push down on housing, to compress gasket, while attaching housing to base with four housing screws removed in step 3.1.2. See Figure 2.

### 4 Direct Burial Lighted Bollard Installation

**4.1.1** The supply wire must be 54" minimum in length above grade.

**4.1.2** Remove four optical cover screws and set aside. See Figure 3.

**4.1.3** Remove four lens cover screws. Remove lens cover and set aside. See Figure 3

**4.1.4** Remove the electrical assembly by lifting up on socket strap taking note of it's orientation to be reinserted later. See Figure 3. Set aside in a dry and clean location. For LED electrical assembly, loosen the two screws that the electrical assembly is attached with and lift out. See Figure 4.

**4.1.5** Insert supply wire through grommet in housing and pull out through the top of housing. Place housing into appropriate sized hole and pull out any excess slack in supply wiring. See Figure 5

**4.1.6** Position and level housing and back fill hole with appropriate material (i.e. concrete, dirt etc.) See Figure 5

**4.1.7** Connect the electrical supply wires to the terminal block on the electrical assembly. The terminals are marked "L1" (Line 1), "G" (Ground), and "L2" (Line 2). If one of the supply lines is electrically neutral, it should be connected to terminal "L2". Verify terminal block cover is in place and covering the terminal block. See Figures 3 & 4.

**4.1.8** Carefully reinsert the electrical assembly into housing. Do not pinch any wires. If supplied with a photocontrol, position so that electrical assembly does not contact photocontrol. For LED electrical assemblies, reinstall plate over the screws loosened in Section 4.1.4 and tighten screws. See Figure 4.

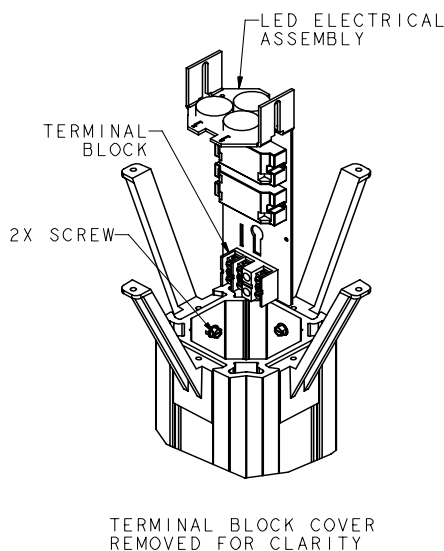
**4.1.9** Install the proper lamp type. Tighten the lamp carefully but securely

**4.1.10** Reinstall the lens cover being sure to align the notches on under side over the socket strap. Insert the four lens cover screws. Tighten screws fully to compress gasket. See Figure 3.

**4.1.11** Reinstall the optics cover using screw's removed in 4.1.2. See Figure 3.

**4.1.12** Energize the fixture and check for proper operation.

**Figure 4**

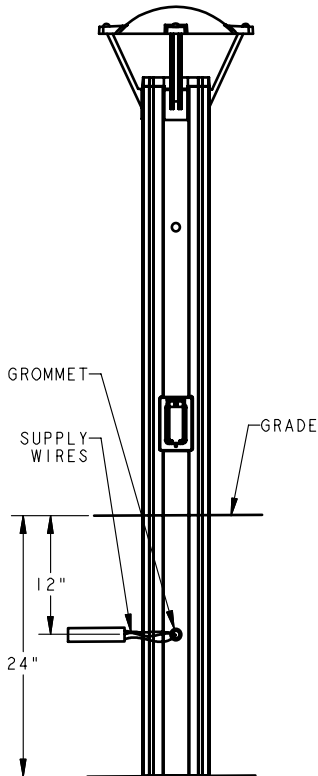


GR40161

## 5.1 Direct Burial Non Lighted Bollard Installation

**5.1.1** Place Bollard into appropriate size hole. Position and level housing and back fill hole with appropriate material (i.e. concrete, dirt etc.) See Figure 5

Figure 5



GR40162

## 6. MAINTENANCE

### 6.1 Re-lamping and Cleaning

**6.1.1** Wipe off exterior dirt and debris using a soft, clean cloth.

#### CAUTION

DO NOT USE ABRASIVE CLEANSERS ON OPTICAL SURFACES. THEIR USE MAY RESULT IN THE LOSS OF OPTICAL EFFICIENCY.

**6.1.2** Access the lamp compartment by referring to Section 2.2.7 through 2.2.12.

**6.1.3** Energize the fixture and check for proper operation.

### 7.1 Electrical Component Replacement

**7.1.1** Wipe off exterior dirt and debris using a soft, clean cloth. Remove the Optical Cover and Lens Cover to access the lamp/electrical compartment by referring to Section 2.2.7 through 2.2.12. See Figure 3.

**7.1.2** Lift socket strap electrical assembly completely out of housing.

**7.1.3** Tag all leads that will be disconnected and note the orientation and position of all components that will be replaced and the fasteners holding them. Remove the component(s) to be replaced.

**7.1.4** Use components supplied by Holophane. Place the new components exactly as were the original components and reuse the original fasteners to secure them. Check for pinched wires before tightening down the replacement components. Tighten all fasteners firmly. Bundle and secure the wiring in a manner similar to the way it was originally secured to avoid pinching of wires when reinstalling the electrical assembly into the housing.

**7.1.5** Reinstall the lens cover being sure to align the notches on under side over the socket strap. Insert the four lens cover screws. Tighten screws fully to compress gasket. See Figure 3.

**7.1.6** Reinstall the optics cover using screw's removed in 4.1.2. See Figure 3.

**7.1.5** Energize the fixture and check for proper operation.

## 8. LIMITED WARRANTY AND LIMITATION OF LIABILITY

The Holophane limited warranty and limitation of liability is published in the Holophane Price Schedules and is available from your local Holophane Sales Representative.



Acuity Lighting Group, Inc.  
214 Oakwood Ave., Newark, OH 43055

IM40032 2/08 ©2008 Acuity Lighting Group Inc.

Visit our web site at [www.holophane.com](http://www.holophane.com)

Printed in USA

IM40032