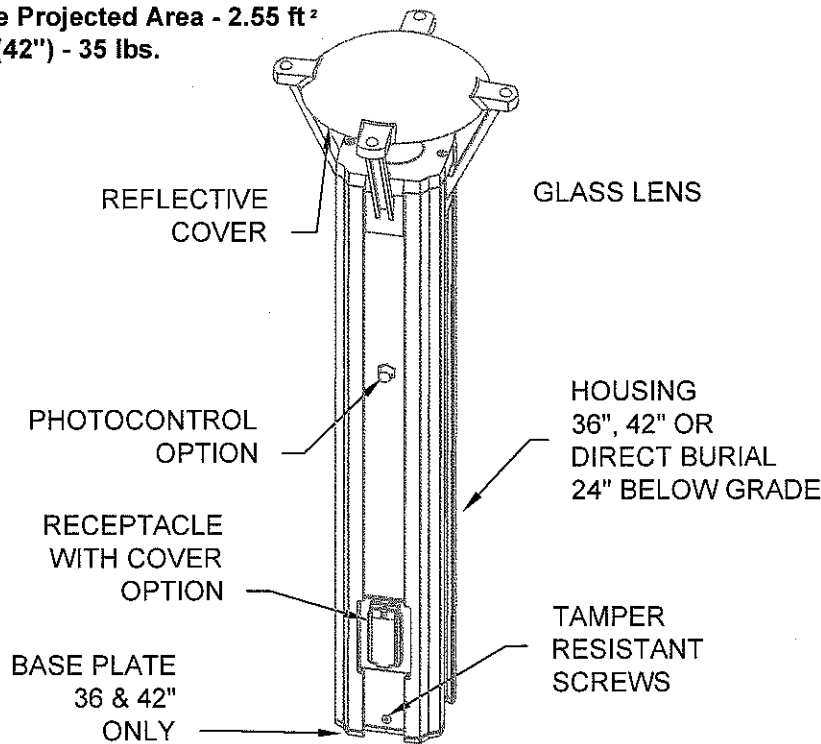


Maximum Effective Projected Area - 2.55 ft²
 Maximum Weight (42") - 35 lbs.



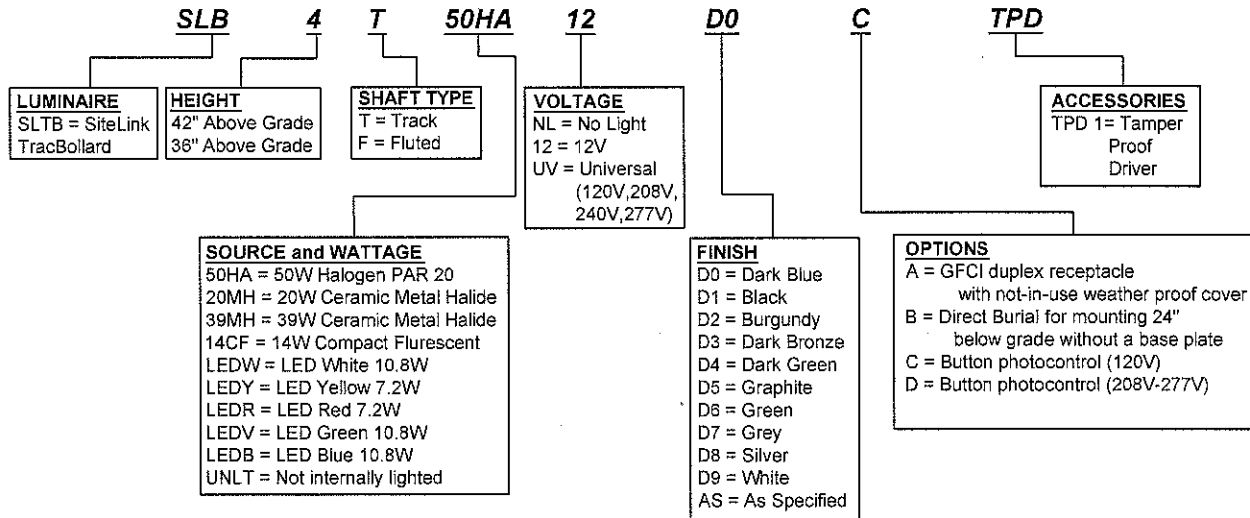
SiteLink
TracBollard

DECORATIVE
OUTDOOR

HOLOPHANE[®]
 LEADER IN LIGHTING SOLUTIONS
 An **Acuity Brands** Company

ORDERING INFORMATION:

SLB4T50HA12D0CTPD1



SPECIFICATIONS:

Indirect Bollard
 Four sided TracLoc Shaft

GENERAL DESCRIPTION

One piece extruded housing with integral TracLoc grooves. The exterior of the TracLoc profile is constructed for modular accessory attachments which shall be moved or changed after installation. The interior of the TracLoc profile allows for five independent wire raceways for initial assembly and post installation flexibility.

OPTICS

The optical assembly is a borosilicate glass lens seated in a gasket and fastened to the Lens Cover to create a water proof seal. The Reflective Cover is painted on the underside with a high reflective white and provides diffuse indirect light distribution.

MOUNTING

The housing is mounted to an anchor base plate with four tamper proof screws. All external hardware is stainless steel and tamper proof. The base plate consists of three 3/8" x 12" x 2" galvanized bolts with washers and nuts to be embedded into a concrete foundation. (By others) A direct burial option is embedded 24" below grade without base plate assembly.

FINISH

The TracBollard is finished with polyester powder paint applied after a pretreatment process to insure maximum durability

UL LISTING

The TracBollard is UL Listed and suitable for wet locations (IP-56) at a maximum 25 degree C ambient temperature.

THIS DRAWING, WHEN APPROVED, SHALL BECOME THE COMPLETE SPECIFICATION FOR THE MATERIAL TO BE FURNISHED BY HOLOPHANE. THE MATERIAL SHALL BE SUPPLIED BY HOLOPHANE OR BY OTHERS AS SPECIFIED IN THE DRAWING, BUT ONLY AFTER APPROVAL BY THE CUSTOMER IN WRITING. ON POLE ORDERS AN ANCHOR BOLT TEMPLATE PRINT WILL BE SUPPLIED WITH EACH ANCHOR BOLT ORDER TO MATCH THE POLE PROVIDED. THIS PRINT IS THE PROPERTY OF HOLOPHANE AND IS LOANED TO THE CUSTOMER FOR THEIR USE ONLY. IT IS THE CUSTOMER'S CONDITION THAT IT WILL NOT BE USED DIRECTLY OR INDIRECTLY IN ANY WAY DETRIMENTAL TO OUR INTERESTS, AND ONLY IN CONNECTION WITH MATERIAL FURNISHED BY HOLOPHANE.

ORDER #:	
TYPE:	
DRAWN:	KRW
DATE:	12-10-07
DWG NO.:	MA-5955

